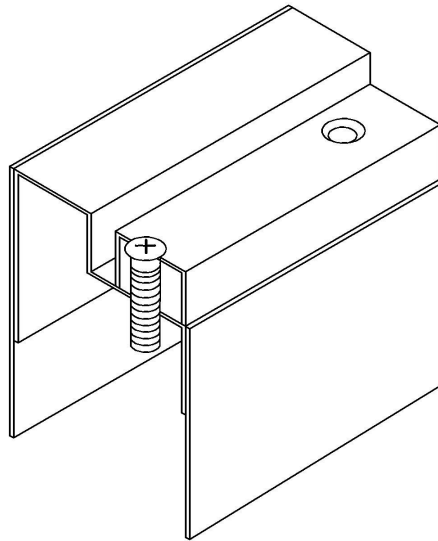
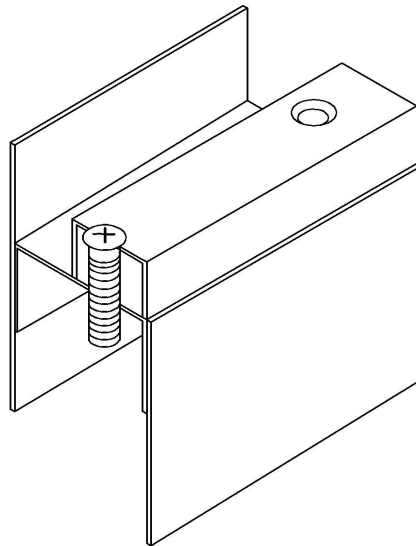


STANDARD FLUSH LITE KITS



Kit for 1/4" or Less Glass Thickness for 1-3/4" Door



Kit for Glass Thickness Greater than 1/4" for 1-3/4" Door
(Door Skin Used As Stop)



150 Division Drive
Wilmington, NC 28401
www.CustomMetalProductsNC.com
Revised 041407

Phone: 866-893-3338
Fax: 866-963-1355
Info@CustomMetalProducts.bz