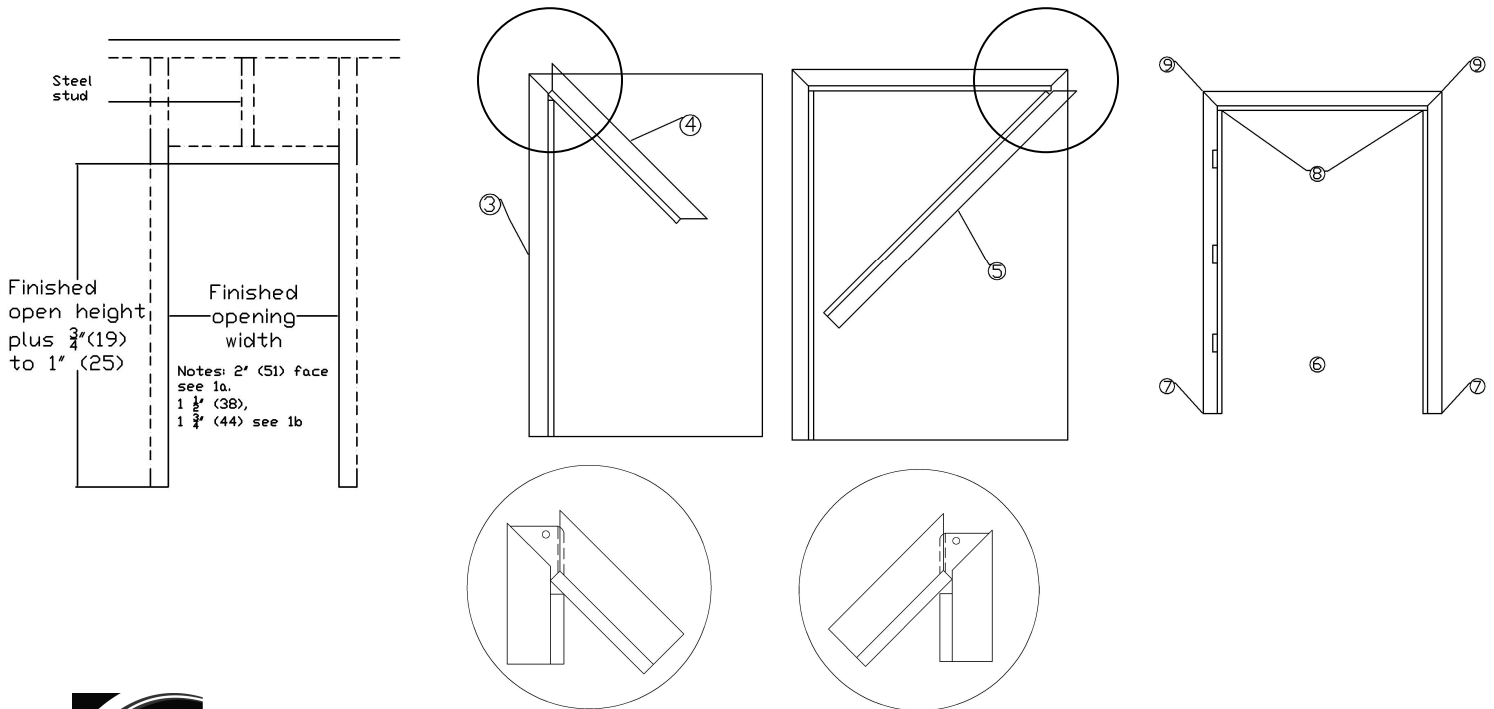


# INSTALLATION INSTRUCTIONS

## Over-the-Wall Knock-Down (KD) Drywall Frames

It is particularly important that the overlapping of steel vertical and horizontal studs be avoided, since this produces oversized walls. This, in turn, could create significant installation problems when drywall frames are used.

- Construct the wall with a rough opening height equal to the finished opening height plus  $\frac{3}{4}$ " (19 mm) to 1" (25 mm) maximum. A rough opening width is as follows:
  - For 2" (51 mm) face frames – opening width plus 2" (54 mm) to 2- $\frac{3}{8}$ " (60 mm).
  - For 1- $\frac{3}{4}$ " (38 mm) and 1- $\frac{1}{2}$ " (44 mm) face frames – opening width plus a maximum of 2" (51 mm).
- If a wrap around (optional) base anchor is used, notch the drywall in that area.
- Retract the compression bars in the jambs and install one jamb in position on the wall.
- Insert the frame head under the corner clips of the jamb and raise into position.
- Insert the corner clips of the remaining jamb into the opposite end of the head and position the jamb on the wall.
- Locate a removable frame spacing bar at the base of the centered frame to maintain proper opening width during the installation.
- Square and plumb the frame. Install the base anchor screws through the countersink holes in the frame face and into the floor plate or secure bottom of frame to stud with base clips.
- Square the top of the frame. Tighten the compression bars by turning the screws counterclockwise. Do not over-tighten.)
- Install four No. 8 x  $\frac{1}{2}$ " (13 mm) sheet metal screws at the corners of the head to attach the head to the jambs. Required for UL rated frames.



150 Division Drive  
 Wilmington, NC 28401  
[www.CustomMetalProductsNC.com](http://www.CustomMetalProductsNC.com)  
 Revised 032807

Phone: 866-893-3338  
 Fax: 866-963-1355  
[Info@CustomMetalProducts.bz](mailto:Info@CustomMetalProducts.bz)