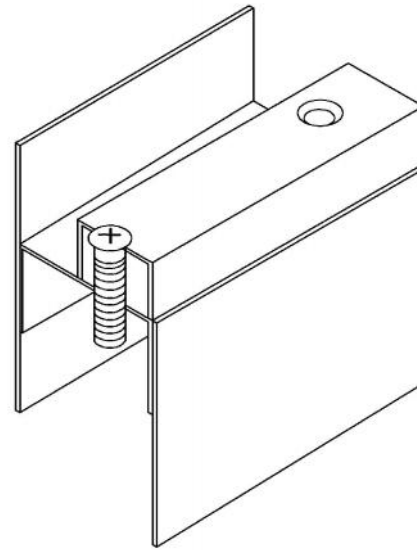
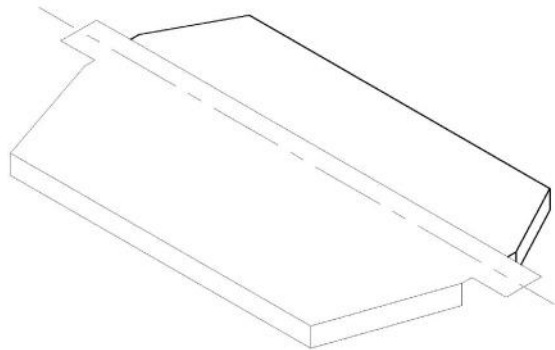


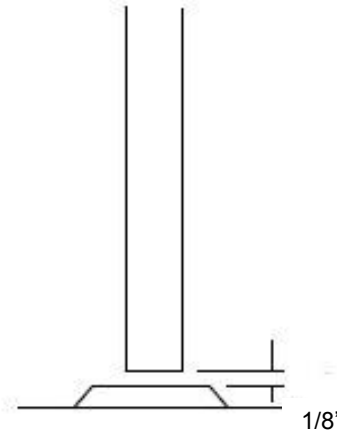
Kit for 1/4" or Less Glass Thickness for 1-3/5" Door



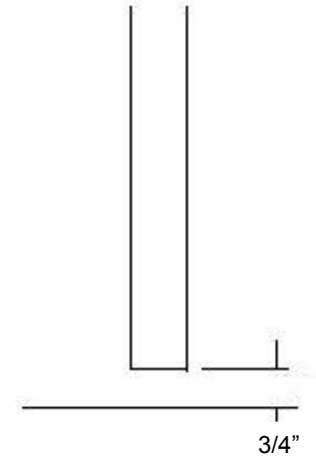
Kit for Glass Thickness Greater than 1/4" for 1-3/4" Door
(Door Skin Used As Stop)



Dutch Door Shelf



Undercut Above Threshold



Undercut No Threshold



**Custom Metal
Products**

Project: _____

Standard Door Details

DWG N.T.S

Drawn By: _____

Date: _____

Sheet _____ of _____

Revised 051707