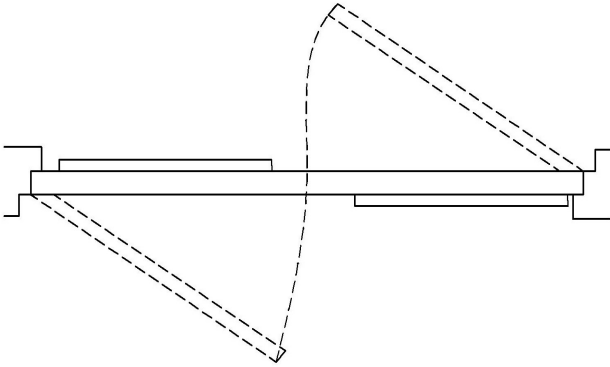
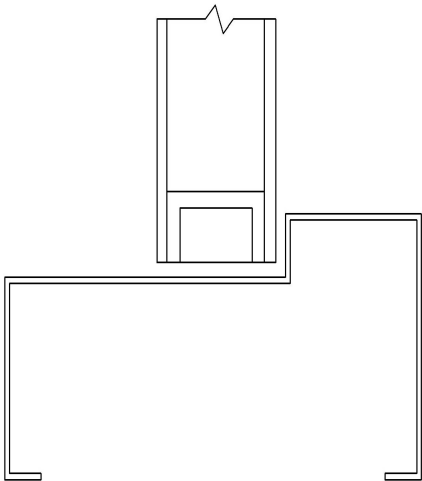


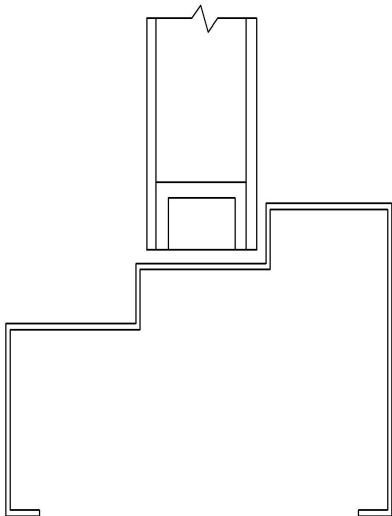
DOUBLE EGRESS FRAMES



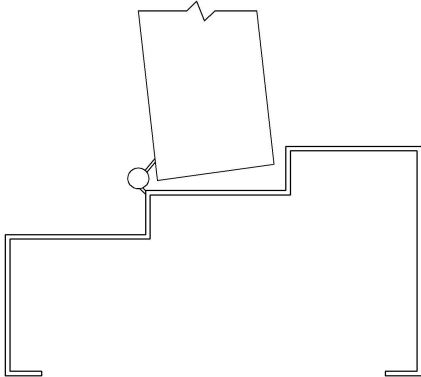
Typical Plan View



Typical Head



Alternate Head



Typical Jamb



150 Division Drive
Wilmington, NC 28401
www.CustomMetalProductsNC.com
Revised 041907

Phone: 866-893-3338
Fax: 866-963-1355
Info@CustomMetalProducts.bz