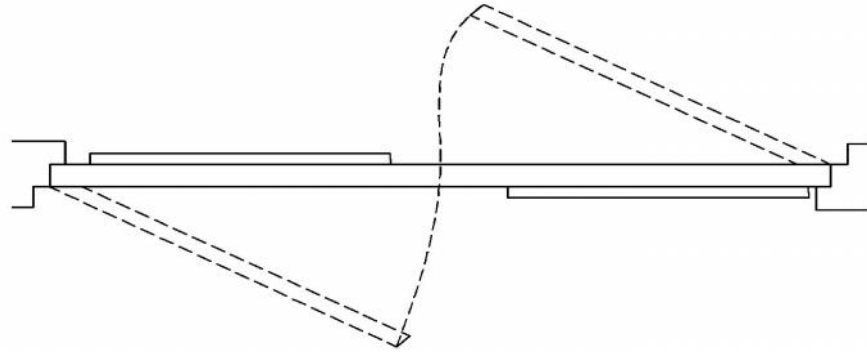
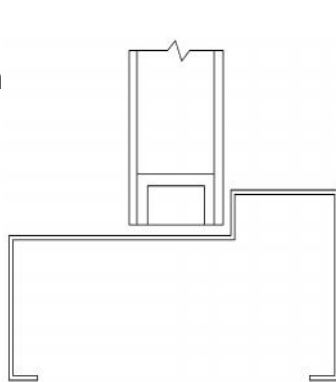


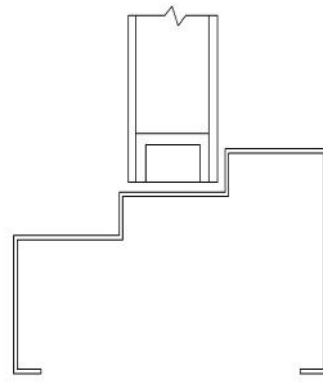
Typical Elevation



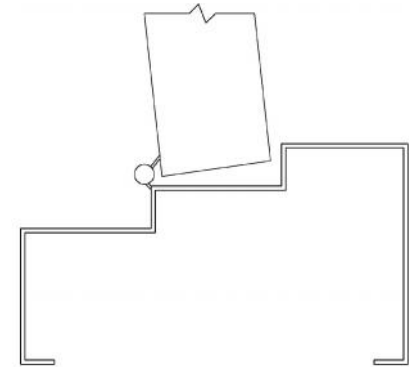
Typical Plan View



Typical Head



Alternate Head



Typical Jamb



**Custom Metal
Products**

Project:

Double Egress Frame

DWG N.T.S

Drawn By: _____

Date: _____

Sheet _____ of _____

Revised 051707