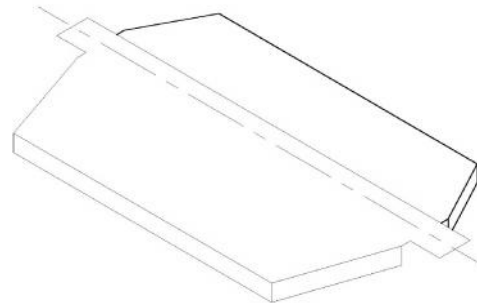
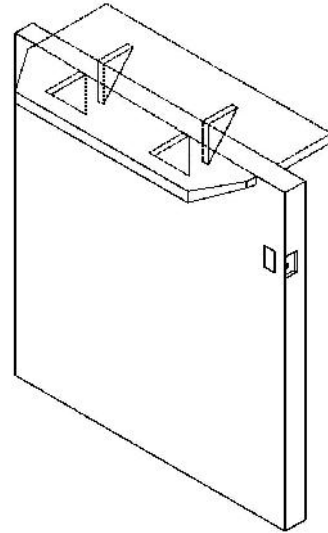
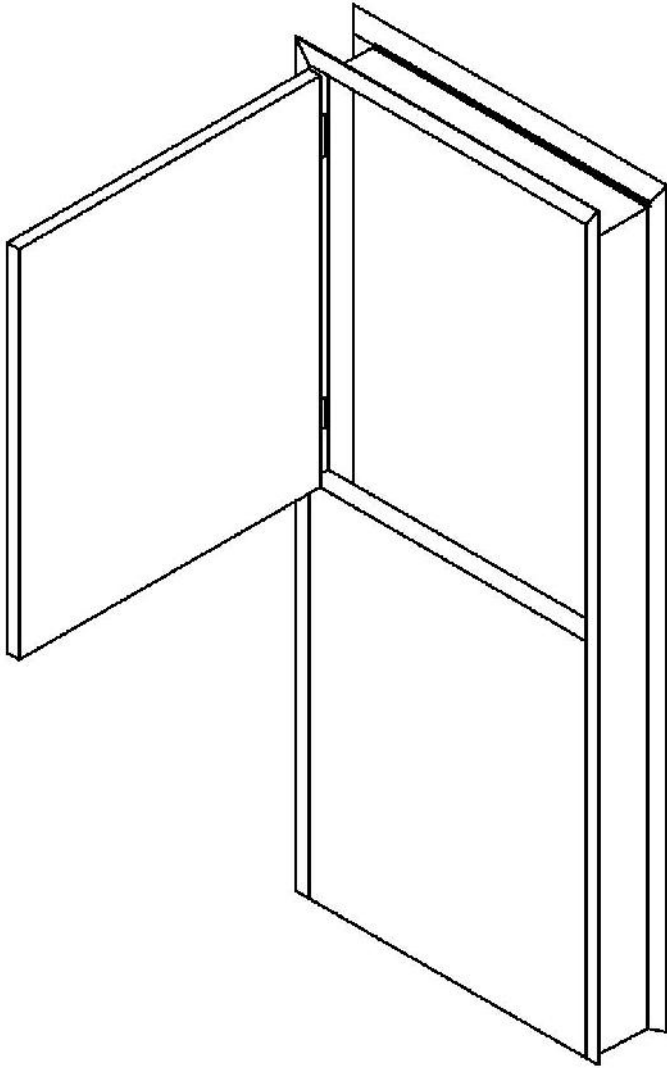


# DUTCH DOOR

Custom Metal Product's Dutch Doors are manufactured to the same specifications as the "PH", "PB" and "SB" Series doors. Our Dutch Door shelves are custom made to your specification and are available in single and double styles.

Maximum UL Rating: 1-1/2 hours for maximum size per leaf 3'-6" x 3'-9"



150 Division Drive  
Wilmington, NC 28401  
[www.CustomMetalProductsNC.com](http://www.CustomMetalProductsNC.com)  
Revised 032812

Phone: 866-893-3338  
Fax: 866-963-1355  
[Info@CustomMetalProducts.bz](mailto:Info@CustomMetalProducts.bz)