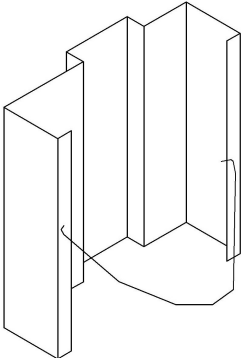
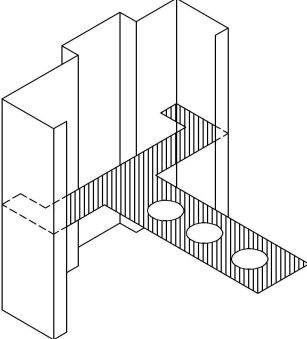


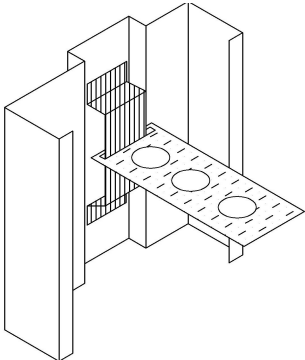
ANCHORS PROFILES



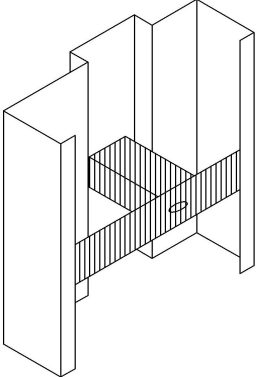
Wire (WA)



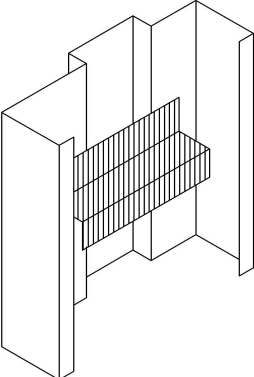
T (TA)



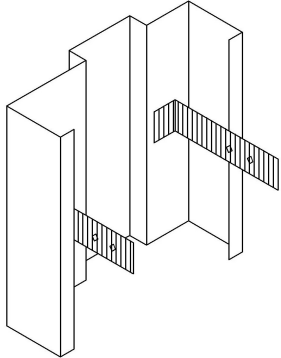
Adjustable Strap (SA)



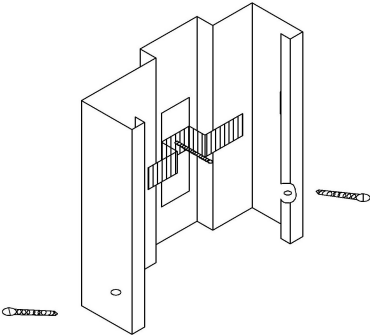
Existing Masonry (EM)



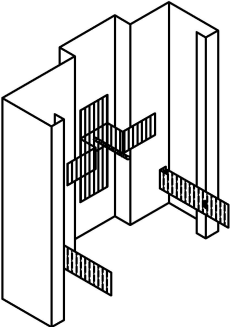
Steel Stud (SS)



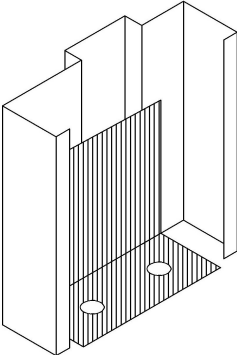
Wood Stud (WS)



Compression (CP)



Compression (CO)



Base (BA)



150 Division Drive
Wilmington, NC 28401
www.CustomMetalProductsNC.com
Revised 051707

Phone: 866-893-3338
Fax: 866-963-1355
Info@CustomMetalProducts.bz